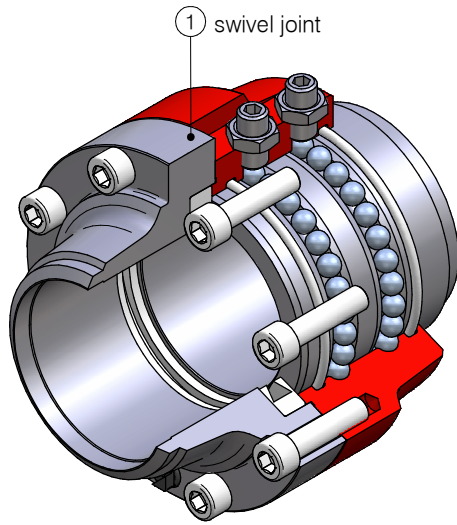


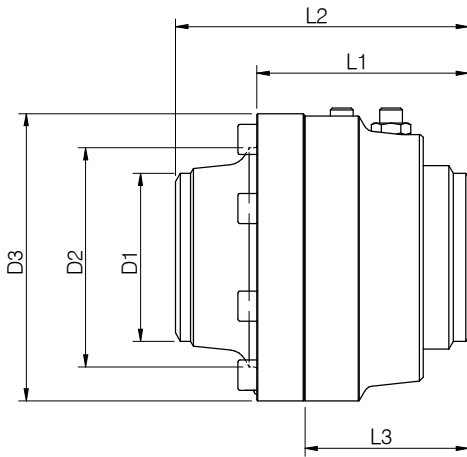
swivel joint

type 30-2000

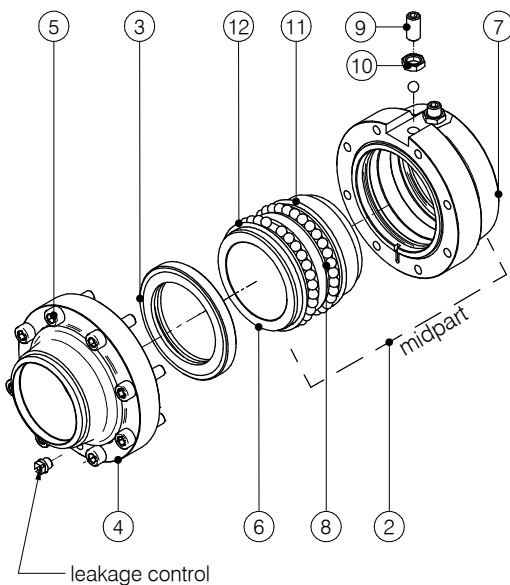


ITEM	SPECIFICATION
dimensions	DN25 (1") up to DN300 (12")
swivel flange	stainless steel 1.4571/S355JO
nipple	stainless steel 1.4571
coupler	steel 42CrMo4
seals	PTFE, Viton, EPDM
end connection	flanged ANSI/DIN, welded end

PROCESS DATA	VALUES
pressure	up to 50 bar
temperature	-50°C / +200°C



SIZE	DIMENSIONS								WEIGHTS	
	D1	D2	D3	L1	L2	L3	S	swivel joint	mid part	
mm	inch	mm	mm	mm	mm	mm	mm	kg	kg	
25	1"	33,4	50	90	80	90	66	2,77 / 3,38	2,5	1,8
32	1¼"	42,2	50	90	80	90	66	2,77 / 3,56	2,3	1,6
40	1½"	48	65	110	80	90	66	2,77 / 3,68	3,5	2,6
50	2"	60	82	117	112	145	87	2,77 / 3,54	5,2	3,5
80	3"	89	116	152	112	155	87	3,05 / 5,94	8,0	5,0
100	4"	114	139	175	112	160	87	3,05 / 6,02	10,0	6,6
150	6"	168	185	262	153	160	120	3,40 / 7,11	28,6	20,1
200	8"	219	235	316	153	160	120	3,76 / 8,18	37,0	25,0
250	10"	273	290	390	183	205	155	4,19 / 9,27	79,0	46,8
300	12"	324	340	445	183	205	155	4,57 / 9,53	95,0	68,5



ITEM	NAME	QUANTITY									
		25	32	40	50	80	100	150	200	250	300
2	midpart	1	1	1	1	1	1	1	1	1	1
3	product seal, PTFE	1	1	1	1	1	1	1	1	1	1
3	product seal, VITON	1	1	1	1	1	1	1	1	-	-
3	product seal, EPDM	-	-	-	1	1	1	1	1	-	-
4	swivel flange	1	1	1	1	1	1	1	1	1	1
5	bolt	8	8	8	6	8	10	12	20	20	20
6	nipple *	1	1	1	1	1	1	1	1	1	1
7	coupler *	1	1	1	1	1	1	1	1	1	1
8	ball	44	44	44	44	64	78	76	98	96	110
9	ballplug	2	2	2	2	2	2	2	2	2	2
10	nut	-	-	-	2	2	2	-	-	-	-
11	dust seal, PTFE	1	1	1	1	1	1	1	1	1	1
11	dust seal, NBR	1	1	1	1	1	1	1	1	1	1
11	dust seal, FPM	1	1	1	1	1	1	1	1	1	1
12	chamber seal, PTFE	1	1	1	1	1	1	1	1	1	1
12	chamber seal, FPM	1	1	1	1	1	1	1	1	1	1

* only supplied as part of whole swivel excl. flange

subject to technical modifications